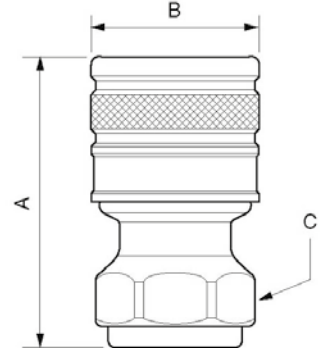


WATER COUPLINGS PLATE

Valved female coupler

Profile : WATER



Min/max operating pressure	Flow rate at	ID passage	Temperature min/max
0 / 145 psi	1 CFM	3/8"	5 / 140 °F

Part number	Female thread	Net weight (Kg)
ELS 091204P	NPT3/4	0
ELS 091304P	GHT 3/4	0